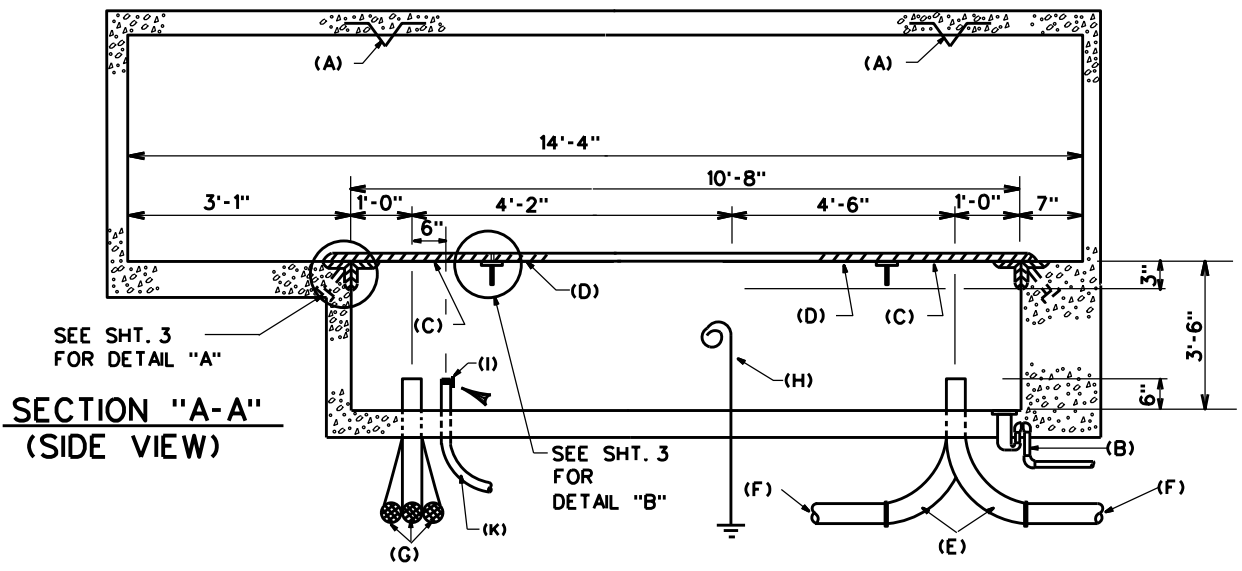


PIT DETAIL (TOP VIEW)




SECTION "A-A"
(SIDE VIEW)

MINIMUM REQUIREMENTS ONLY

CONTRACTUAL AGREEMENTS AND EASEMENTS OUTLINING THE RESPONSIBILITIES OF TAMPA ELECTRIC COMPANY AND THE OWNER WILL ALWAYS BE REQUIRED. IN NO WAY SHALL THIS REQUIREMENT BE CONSTRUED AS AN APPROVED VAULT CONSTRUCTION DESIGN REQUIREMENT UNLESS PRESENTED IN THE FORM OF A CONTRACTUAL AGREEMENT BETWEEN TAMPA ELECTRIC COMPANY AND THE OWNER. TAMPA ELECTRIC COMPANY ASSUMES NO LIABILITY FOR STRUCTURAL DESIGN SPECIFICATIONS OF ANY VAULT.

▲ DENOTES LATEST REVISION

NO.	CK'D	DATE	REVISION
4	SJH	5-19-11	Removed grounding bushing from G & E and put it on K
3	SJH	5-17-07	REVISED TITLE BLOCK
2	MFK	8-21-03	SPLIT SPEC'S.
1	MFK	4-17-03	MOVED CONDUIT (K).

TYPICAL PIT AND CONDUIT DETAIL FOR 600 AMP MANUAL AND AUTO-THROWOVER PAD-MOUNTED SWITCHING EQUIPMENT VAULT		 MGR: STD'S APPR. DATE 5-19-11 SUPERSEDES 13-23/5-17-07
TAMPA ELECTRIC CO.	STANDARDS	GENERAL RULES & SPECIFICATIONS UG.
		13-23 , PG. 1 OF 3